



The Freiburg Scottish Country Dancers
strongly recommend the

The Scottish Dancer's Country Magazine Midwinter Edition 2013

Sneak Preview
Topics in Diagrams

The Scottish Dancer's Country Magazine

CONTENT

- > Panorama: A fantastic view from the molehill page 2
- > How to fight rural ennui page 3
- > Is poaching still a crime? An inside report page 4
- > Keeping exotic animals: A musical approach page 5
- > Courtship rituals in the farmyard page 6
- > Reeling: How to catch really big fish page 7
- > Apiculture: Field report with a sting page 8



Special edition:
Midwinter 2013

21 1/2 country-made dances



Mole's Frolic		J32	
S ↑	↓ ↑	-2 1 3-	S X _R
3 RA	2 LA	3 X _L	S

> Panorama:
A fantastic view from the molehill. Look forward to the Day School excursion.

WIND THAT SHAKES THE BARLEY				R32
↔ ↑	⊗ ⊗	L+↑	⑥	

STAFFIN HARVEST		RSCDS 1978 S32	
1 3	2-2 4-4	○○○	2-2-4-4
S X _R	SX _R SX _R	○○○	SX
2 4	1-1 3-3	○○○	1-1-3-3
		12 & 34	21 & 43
		④	P
			3

GRUMPY GENTLEMAN		Birmingham 2006 J32	
1 2	1 X _R 1 1 → 1	2 1 3	⊗ ⊗
S	2 X _R 2 2 ← 2	2 1 3	⊗ ⊗
SET AND ROTATE		2 1 3	TR _{1/2}
		S ₂	

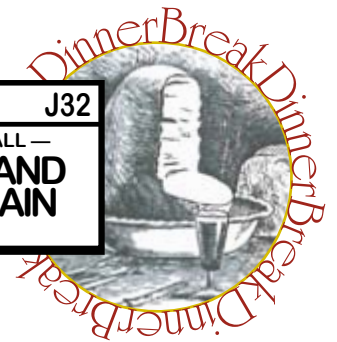
> How to fight rural ennui:
Workshop in teams of 8 during the Day School.

Linnea's Strathspey		Wilson S32	
S ↑		S ↑	S ↑
			3 1 2
TR _{3/4} TR _{3/4}	TL _{1/2}	TR _{3/4} TR _{3/4}	A
2bars	4bars	2bars	

> The tender twinflower is tougher than you think. See it grow during Day School.

Turkey Trot		Let's all dance R32	
↔ ↑	2 RA	2 LA	-2 1 3-
	1 1 3	1 1 3	D
	2 3	2 3	⑥

The Fairy Ring		J32	
⊗	⊗ ⊗	⊗ ⊗	- ALL -
⊗	⊗ ⊗	⊗ ⊗	GRAND CHAIN



MAID OF THE MILL XXI 11 J 40

$T_R \curvearrowright T_L \curvearrowleft$		S	$T_{R1/2}$		T_L to wrong side		T_R to own side
--	--	-----	------------	--	---------------------	--	-------------------



BRUCE'S MEN 3 Couple Set 3x32 S

1 2 ④		2 ① ③	③ ① 2	3 ① 2	3 1 2	3 1 2
RL	RL	$ST_{R1/2}$	A ①	to 2 3 1		



SALMONFIELD POACHER Barbour R 40

$S \uparrow T_L$			At end 1's pull R slider back to		
R	$CHASE$ anticlockwise to 2 1 3	6 slip steps turn left about			
$SET AND LINK FOR THREE$					

> Poaching: Crime or pastime? We open the legal and moral discussion during the Day School.

WOODLAND ASSEMBLY (Square set) Priddey J 128

⑧	2 2 ① X_R ③ 3 1 ① X_R ③ $T_L \curvearrowright$ bar 9 4 4	2 2 ③ ③ ① ① $ST_{R1/2}$ 4 4	
3 1 RL	to original places bar 28	ALL ST_R	
	Women \updownarrow	Men \updownarrow	Repeat 1-64 with 2's & 4's dancing bars 9-28

> How to organise a garden party with limited funds:

Tips and tricks provided in the Day School.

CASHMERE SHAWL 8x32 S

$T_R \curvearrowright X_L \curvearrowleft$	$T_R \overline{T_L} \overline{T_R} T_L$		3 ① ② ③ ③ 1 ③ ① 2 1 ② ② ① ③ 3 X_R X_L X_R	2 ② ① 2x1x3x X_L
--	---	--	---	-----------------------

THE PIPER AND THE PENGUIN Square Set 4x88 R

	RA		LA		RA		LA
1 3 $T_{R1/4}$		1 3 RL	2 4 R 16 bars		$CHASE$ Clockwise		
	$CHASE$ Anticlockwise	ALL $T_{R1/4}$	$PROM$ anticlockwise				

> Keeping exotic animals: A musical approach

GLAYVA J32

Half Obie Fig 8: ① TL ②, ① TR ②

RA: ① ②, ③ ④

ESPAGNOLE: ① ②, ③ ④

> Live tasting on Saturday afternoon.
Bring your own bottle.

The Shetland Sheperdess J32

① ↻, ② ↻

① ②, ③ ④

① TL 1/2 - ②, ① TR 1/2 - ②, ① TR ③, ① TL ③

2 3, 2 3, 2 3

to ①, ①

① ↻, ② ↻

① ↻ * TR

AUTUMN IN APPIN XXXI 5 S32

2nd chord 3's & 4's cross to opposite sides

2 3, 2 3, -1 4, -1 4

TR 1/2 RA, TR 1/2

ALL FROM clockwise

① ②, ③ ④, ① ②, ③ ④

1 4, 2 3

ALL S ⑧ All spiral out of centre of circle

② ④ ① ③, ② ④ ① ③

> Slide Show by Sjoerd van Leersum.

RANNOCH MOOR (5 couples) Goldring S32

① ②, ① ②

② LA ③, ③

① ②, ③ ④

④ LA ⑤, ⑤

④ RA ⑤, ⑤

⑤ ①, ⑤ ①

(to 23451)

> 50 square miles of boggy moorland...
The Day School makes sure you won't get stuck.



> Catch the really big fish!
A Day School demonstration. Open also to vegetarians.

SUMMER WOONG 8x32 R

1 2, ④

① ②, ③ ④

① ②, ③ ④

2 1, 1 2, 1 2

→ ←

Keep R hands joined

1 2, P

> Courtship rituals in the farmyard: An ornithological report



Fisherman's Reel 5cpl Square Set R32

① ②, ③ ④, ④ ④

1 2 3 4, -5-

⑧ TR TL 1 1/2

② ②, ⑤ RA, ⑤ RA, ① ⑤, ⑤ ③

① ⑤, ⑤ ③

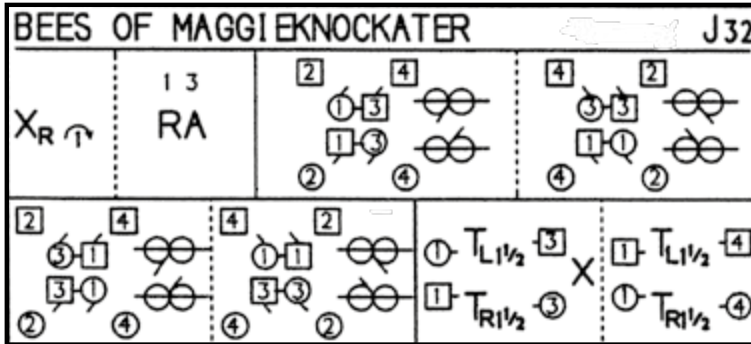
① ②, ③ ④, ④ ④

2 2, 3 3, 4 4

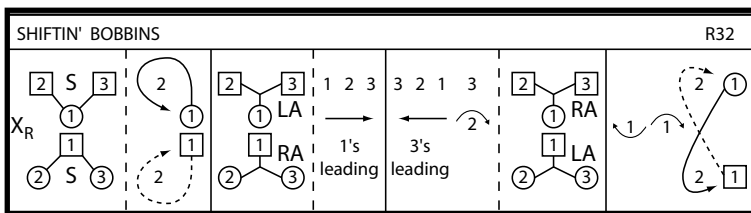
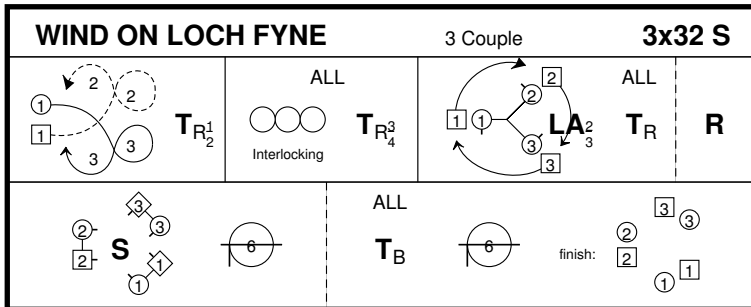
1 4, R

4 3, 3 2, R R

Extras



> Being into apiculture:
A field report with a sting



> Arts and Crafts: Thread pullers and thread trimmers

> The Scottish Dancer's Country Magazine:
A truly exhausting read.

